

Your Homework 😊

Hello!

Thank you for choosing Doodlebuggers for your fireplace project! We are very excited to be working with you and helping find the ideal solution for your home.

This take-home packet, aka “Your Homework,” is designed to set you up for success at your Showroom Appointment by helping you take some basic measurements and photos, and fine-tune your vision for your new fireplace.

THINGS TO CONSIDER FOR YOUR NEW FIREPLACE:

FUNCTION

- What will be your new fireplace’s main purpose, heat or ambiance?
- What is in the space above or behind the fireplace? Is there an attic or a bedroom, or is it on an exterior wall? These questions are particularly important for vented fireplaces.
- Do you have utilities (such as natural or propane gas, electricity, etc.) installed near your fireplace and live? If not, when will they be installed and by whom?
- If you are remodeling your existing fireplace, have you scheduled a fireplace/chimney inspection? Existing chimneys must be in good repair and up to code before modifications to the fireplace can be made.
- Do you have a budget range that you are trying to stay within for this project?

DESIGN

- Would you consider the style of your home Traditional, Rustic, Transitional, or Contemporary?
- What will the décor in the room be like? Cool or warm tones, beachy, etc.
- Will you be including finish work (stone, tile, granite, etc.) as part of your fireplace project?

WHAT TO BRING TO YOUR SHOWROOM APPOINTMENT:

- This completed packet, as best as you can 😊
- Blueprints of your home, if possible
- Photos (and model numbers, if possible) of your existing system
- Inspiration photos – how you want your new fireplace to look. (Check out our website or Pinterest for ideas)
- Measurements (height floor to ceiling, width left to right) of the wall where fireplace is located

We recommend writing your questions down on the back of this paper as you think of them to help organize your thoughts. To be prepared, please bring photos or email them to us – please title your email: **Last Name, First Name – Address – Fireplace Photos for Showroom Appointment.**

Thank you again for your choosing us to provide your fireplace solution. We can’t wait to get started!



(850) 477-1151 or quotes@hugyourhome.com



DOODLEBUGGERSTM Service Network

A Division of Latello Brands LLC

Since 1998



1. Fireplace up close



2. Fireplace wall (actual or desired location)



3. Fireplace Damper, looking up the chimney

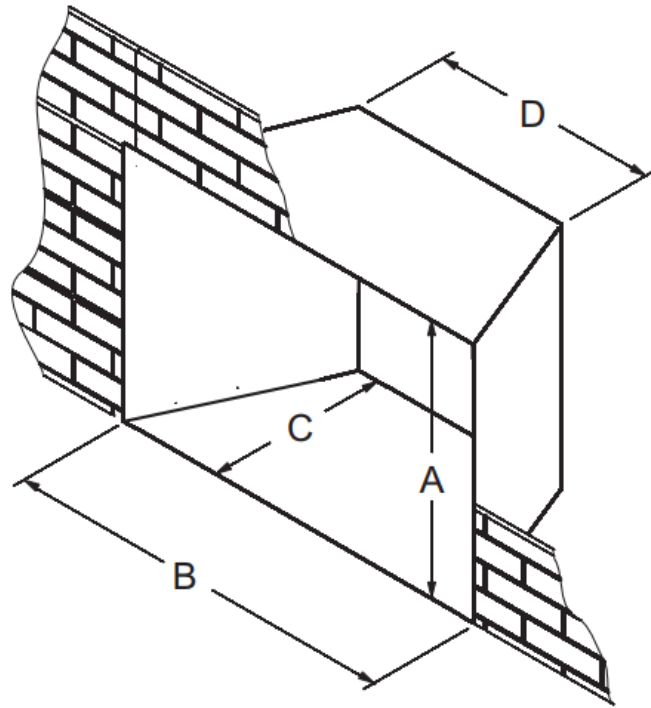


4. Above roofline portion of the chimney, as seen from ground level

Customer Name: _____

Address: _____

Phone #: _____ Email: _____



Opening Height	(A)	
Opening Width	(B)	
Firebox Depth	(C)	
Back Width	(D)	

Signature: _____



HugYourHome.com
(850) 533-8108



DOODLEBUGGERS[®]

Fireplaces | Grills | Outdoor Store

A Division of Latello Brands LLC

Since 1998

Pensacola | Destin
Showrooms

7555 U.S. 98 West, Suite A
Pensacola, FL 32506

36054 Emerald Coast Pkwy #100
Destin, FL 32541